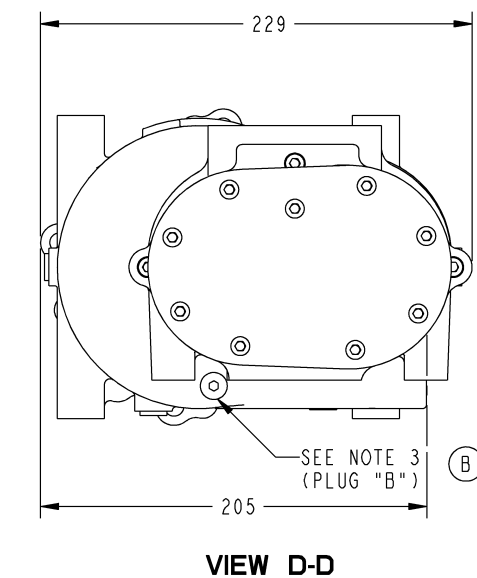
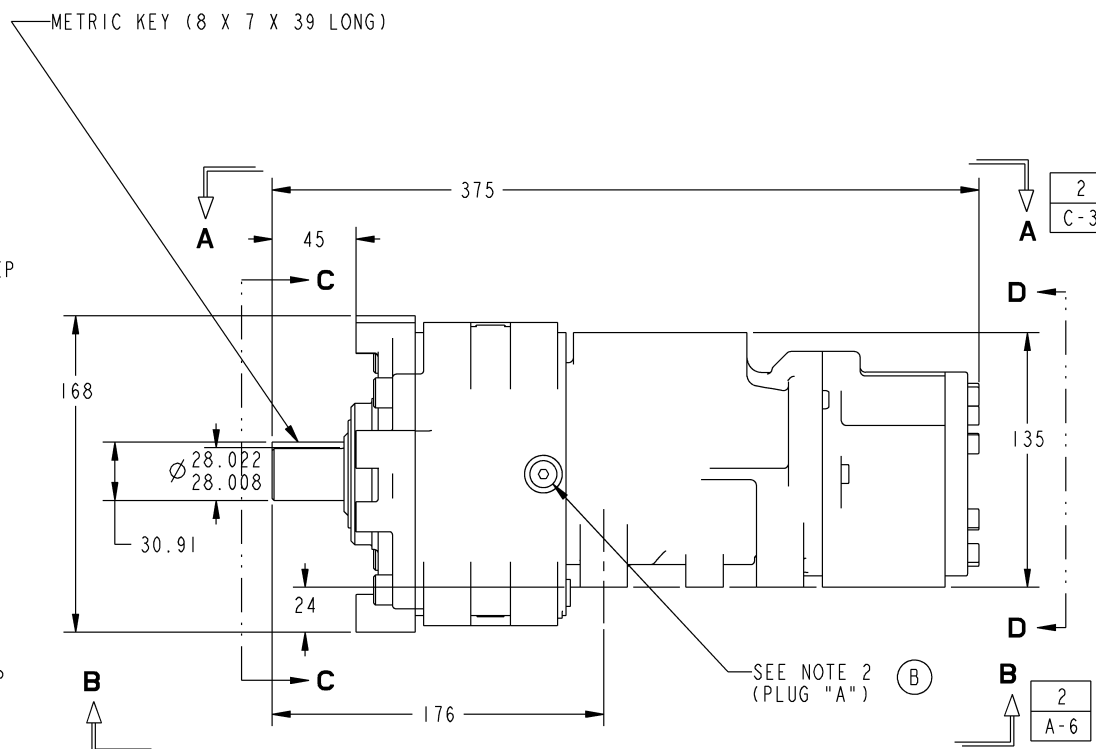
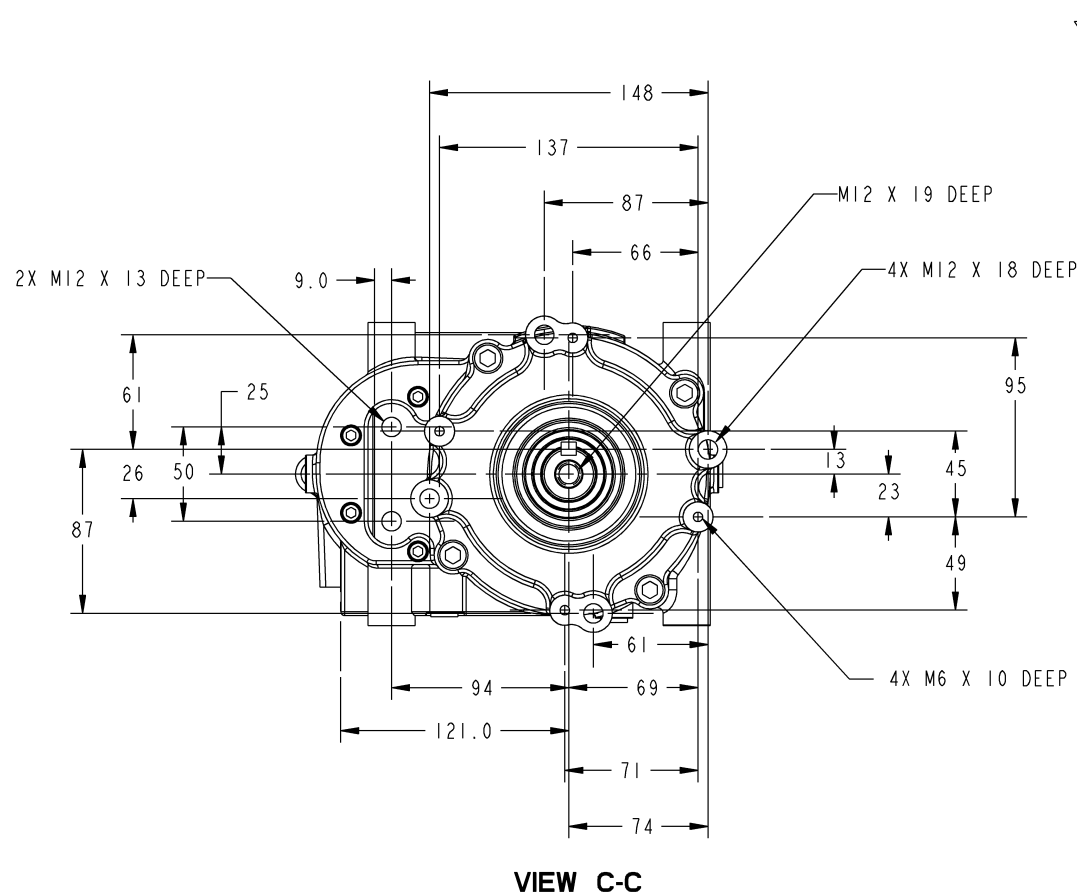


NOTES:

1. ARROW INDICATE THE DIRECTION THE INPUT SHAFT MUST ROTATE.
2. LOOKING AT THE END OF THE INPUT SHAFT, IF THE INLET TO THE AIREND IS TO YOUR RIGHT, REMOVE PLUG "A" AND RETAIN. REMOVE PIPE PLUG LOCATED INSIDE THIS PORT AND RETAIN. REPLACE OUTSIDE PLUG "A" WHICH YOU RETAINED. REMOVE OUTSIDE PLUG "B" AND RETAIN. INSTALL THE PIPE PLUG, WHICH YOU RETAINED EARLIER, IN THIS PORT AND REINSTALL THE OUTSIDE PLUG "B".

REVISIONS						
ZONE	REV	ECN	DESCRIPTION	DATE	DWN	APV
-	A	67855	ORIGINAL RELEASE	09-29-00	LKT	JCC
	B	69185	REMOVED NOTE 2, MODIFIED NOTE 3 SEE NOTE 2 WAS SEE NOTE 3 SEE NOTE 3 WAS SEE NOTE 2 ADDED (PLUG "A"), ADDED (PLUG "B")	01/22/02	LKT	JCC



<p><b>WARNING:</b> THE EXPORT OR REEXPORT OF THIS DRAWING OR A PRODUCT PRODUCED BY THIS DRAWING IS SUBJECT TO U.S. EXPORT ADMINISTRATION REGULATIONS AND OTHER APPLICABLE GOVERNMENT RESTRICTIONS OR REGULATIONS.</p> <p>DRAWING CONFORMS TO ASME Y14.5M-1994</p> <p>ALL WELDMENTS TO BE IN ACCORDANCE WITH (IAW) ANSI/AWS A2.4-93.</p> <p>UNLESS OTHERWISE SPECIFIED, ALL DIMENSIONS ARE IN MILLIMETERS AND TOLERANCES ON DIMENSIONS ARE DECIMALS:</p> <p>WHOLE : ± 1 ONE PLACE : ( .X ) ± 0.5 TWO PLACE : ( .XX ) ± 0.25 ANGLES : ( .X ) ± 1</p>
--

**PROPRIETARY NOTICE**

THIS DRAWING CONTAINS CONFIDENTIAL AND TRADE SECRET INFORMATION, IS THE PROPERTY OF INGERSOLL-RAND CO., AND IS GIVEN TO THE RECEIVER IN CONFIDENCE. THE RECEIVER BY RECEPTION AND RETENTION OF THE DRAWING ACCEPTS THE DRAWING IN CONFIDENCE AND AGREES THAT, EXCEPT AS AUTHORIZED IN WRITING BY INGERSOLL-RAND CO. IT WILL (1) NOT USE THE DRAWING OR ANY COPY THEREOF OR THE CONFIDENTIAL OR TRADE SECRET INFORMATION THEREIN; (2) NOT COPY THE DRAWING; (3) NOT DISCLOSE TO OTHERS EITHER THE DRAWING OR THE CONFIDENTIAL OR TRADE SECRET INFORMATION THEREIN; AND (4) UPON COMPLETION OF THE NEED TO RETAIN THE DRAWING, OR UPON DEMAND, RETURN THE DRAWING, ALL COPIES THEREOF, AND ALL MATERIAL COPIED THEREFROM.

UNLESS OTHERWISE SPECIFIED, ALL DIMENSIONS ARE IN MILLIMETERS

REMOVE ALL BURRS AND SHARP CORNERS

CAD GENERATED DRAWING, NO MANUAL REVISIONS ALLOWED

COPYRIGHT © 2002 INGERSOLL-RAND COMPANY ALL RIGHTS RESERVED

NOUN CODE	
THIRD ANGLE PROJECTION	
DRAWN	DATE
L. Taylor	8-21-00
CHECKED	
TAB	9-25-00
APPROVED	
J. Crouse	9-25-00

		TITLE	
		<b>AIREND INSTALLATION CE55G (STRAIGHT SHAFT)</b>	
SIZE	ESTIMATED WEIGHT (KGS)	DWG NO.	REV
A1	30.92	54601331	B
SCALE: 0.50	UNIT:	CE55G	SHEET 1 OF 2

ECN: 54601331 - MODEL: 54601331 - \*\*\* - 200 DPI