

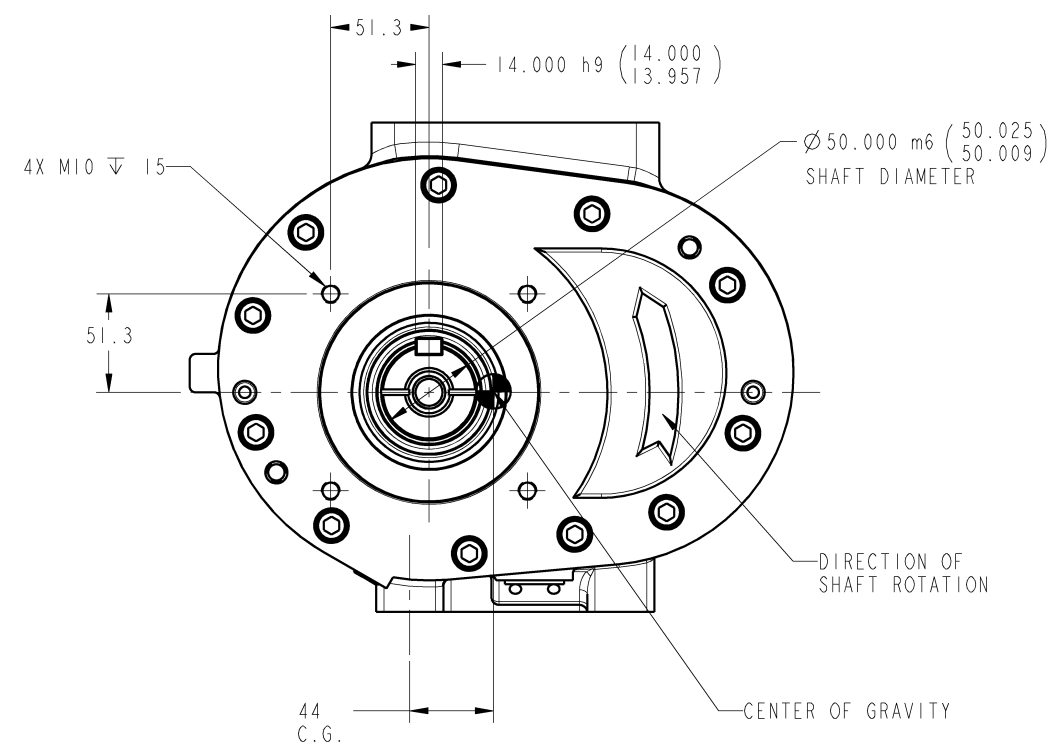
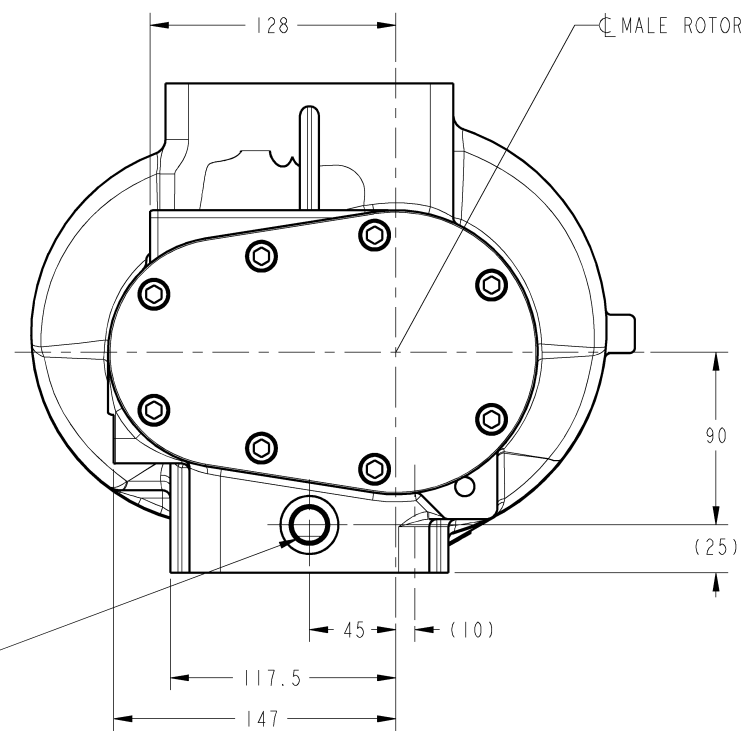
NOTES

1. ASSEMBLY DRAWING PART NUMBER IS 54477245.

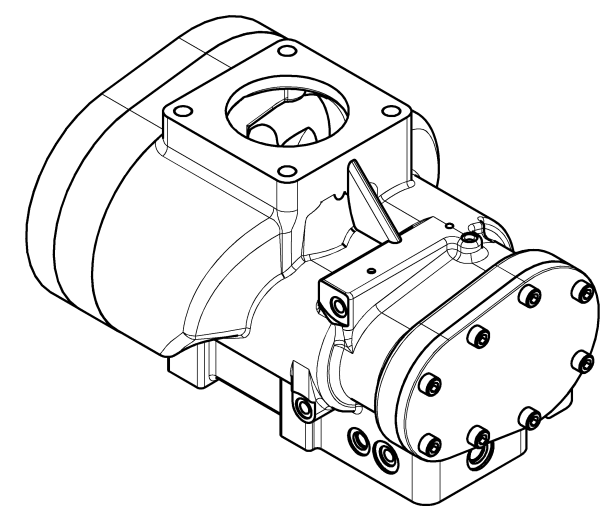
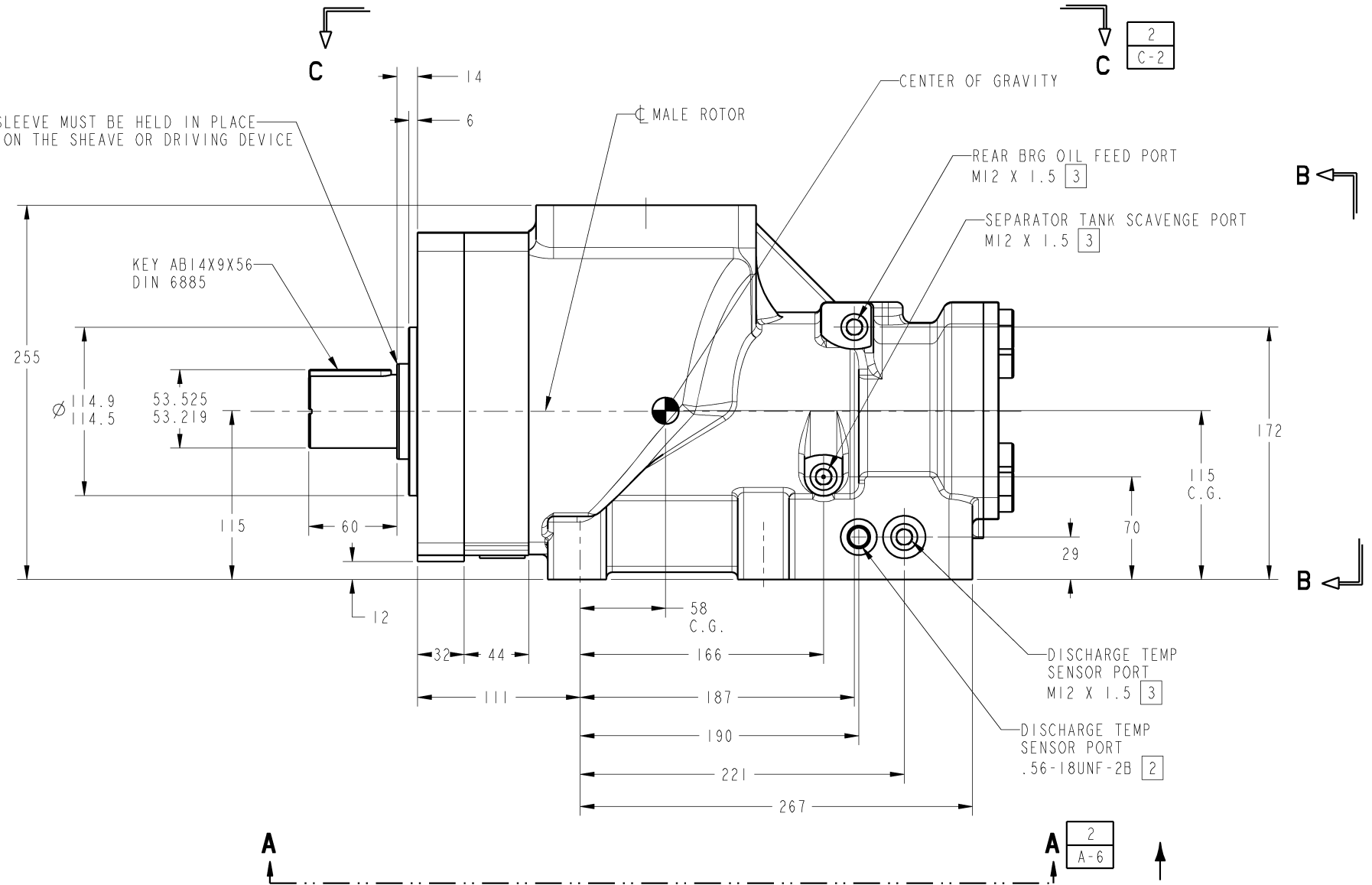
2 PER SAE J1926/1 (ISO 11926-1)

3 PER DIN 3852-1

REVISIONS						
ZONE	REV	ECN	DESCRIPTION	DATE	DWN	APV
-	A	67870	ORIGINAL RELEASE	08-17-00	LKT	NSJ
-	B	71085	SHEET 1: ADDED NOTES 2 AND 3 ADDED DIMS 90, 45, 117.5, 147 ADDED DIM 128 DIM 14.000/13.957 WAS 14.00 ADDED DIMS 51.3 (2X) REVISED C.G. DIMS ADDED NOTE DIRECTION OF SHAFT ROTATION DIM 53.525/53.219 WAS 53/ ADDED DIM 60 SHEET 2: ADDED DETAIL Z ADDED DIMS 60.9, 60.5 ADDED DIM 60	04-23-04	TL	JCC
D-8						
C6-C5						
A-6						
C-7						
C8-B8						
-						
B-6						
B5/B4						
C-7						
B5-B4						
A-5						



SEAL WEAR SLEEVE MUST BE HELD IN PLACE BY THE HUB ON THE SHEAVE OR DRIVING DEVICE



WARNING:
THE EXPORT OR REEXPORT OF THIS DRAWING OR A PRODUCT PRODUCED BY THIS DRAWING IS SUBJECT TO U.S. EXPORT ADMINISTRATION REGULATIONS AND OTHER APPLICABLE GOVERNMENT RESTRICTIONS OR REGULATIONS.
DRAWING CONFORMS TO ASME Y14.5M-1994
ALL WELDMENTS TO BE IN ACCORDANCE WITH (FAW) ANSI/AWS A2.4-93.
UNLESS OTHERWISE SPECIFIED, ALL DIMENSIONS ARE IN MILLIMETERS AND TOLERANCES ON DIMENSIONS ARE DECIMALS
WHOLE : --- (.X) = ± 1
ONE PLACE : --- (.XX) = ± 0.5
TWO PLACE : --- (.XXX) = ± 0.25
ANGLES : --- (.X) = ± 1°

PROPRIETARY NOTICE
THIS DRAWING CONTAINS CONFIDENTIAL AND TRADE SECRET INFORMATION, IS THE PROPERTY OF INGERSOLL-RAND CO., AND IS GIVEN TO THE RECEIVER IN CONFIDENCE. THE RECEIVER BY RECEPTION AND RETENTION OF THE DRAWING ACCEPTS AUTHORIZED IN WRITING BY INGERSOLL-RAND CO. IT WILL (1) NOT USE THE DRAWING OR ANY COPY THEREOF OR THE CONFIDENTIAL OR TRADE SECRET INFORMATION THEREIN; (2) NOT COPY THE DRAWING; (3) NOT DISCLOSE TO OTHERS EITHER THE DRAWING OR THE CONFIDENTIAL OR TRADE SECRET INFORMATION THEREIN; AND (4) UPON COMPLETION OF THE NEED TO RETAIN THE DRAWING, OR UPON DEMAND, RETURN THE DRAWING, ALL COPIES THEREOF, AND ALL MATERIAL COPIED THEREFROM.

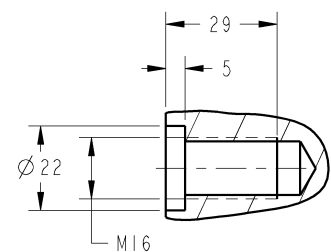
UNLESS OTHERWISE SPECIFIED, ALL DIMENSIONS ARE IN MILLIMETERS
REMOVE ALL BURRS AND SHARP CORNERS
CAD GENERATED DRAWING, NO MANUAL REVISIONS ALLOWED
COPYRIGHT © 2004 INGERSOLL-RAND COMPANY ALL RIGHTS RESERVED

NOUN CODE	
THIRD ANGLE PROJECTION	
DRAWN	DATE
L. TAYLOR	08-17-00
CHECKED	
TAB	8/18/00
APPROVED	
NSJ	8/18/00

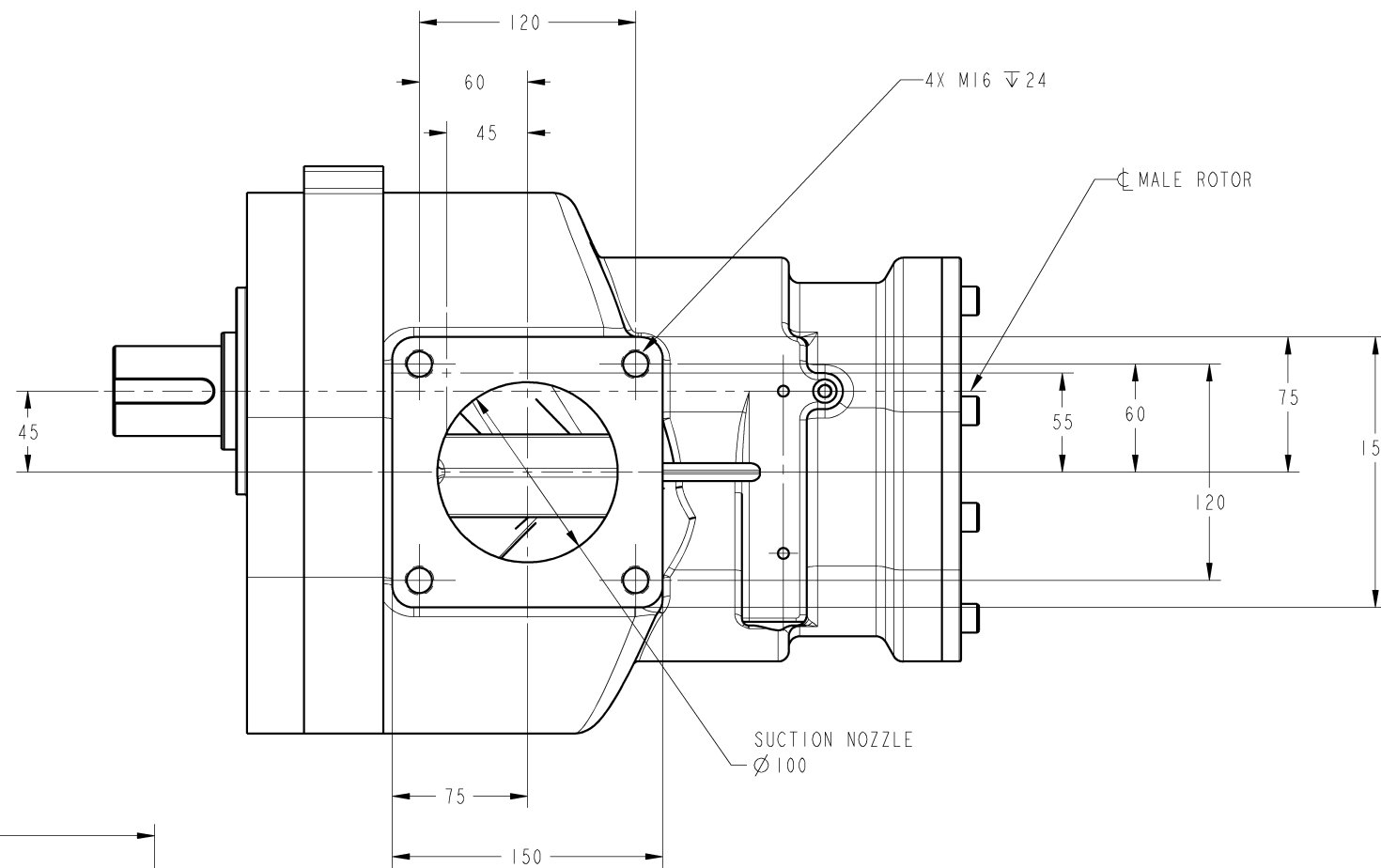
IR Ingersoll-Rand Air Solutions

AIREND INSTALLATION CF90D2 (BELT DRIVE)

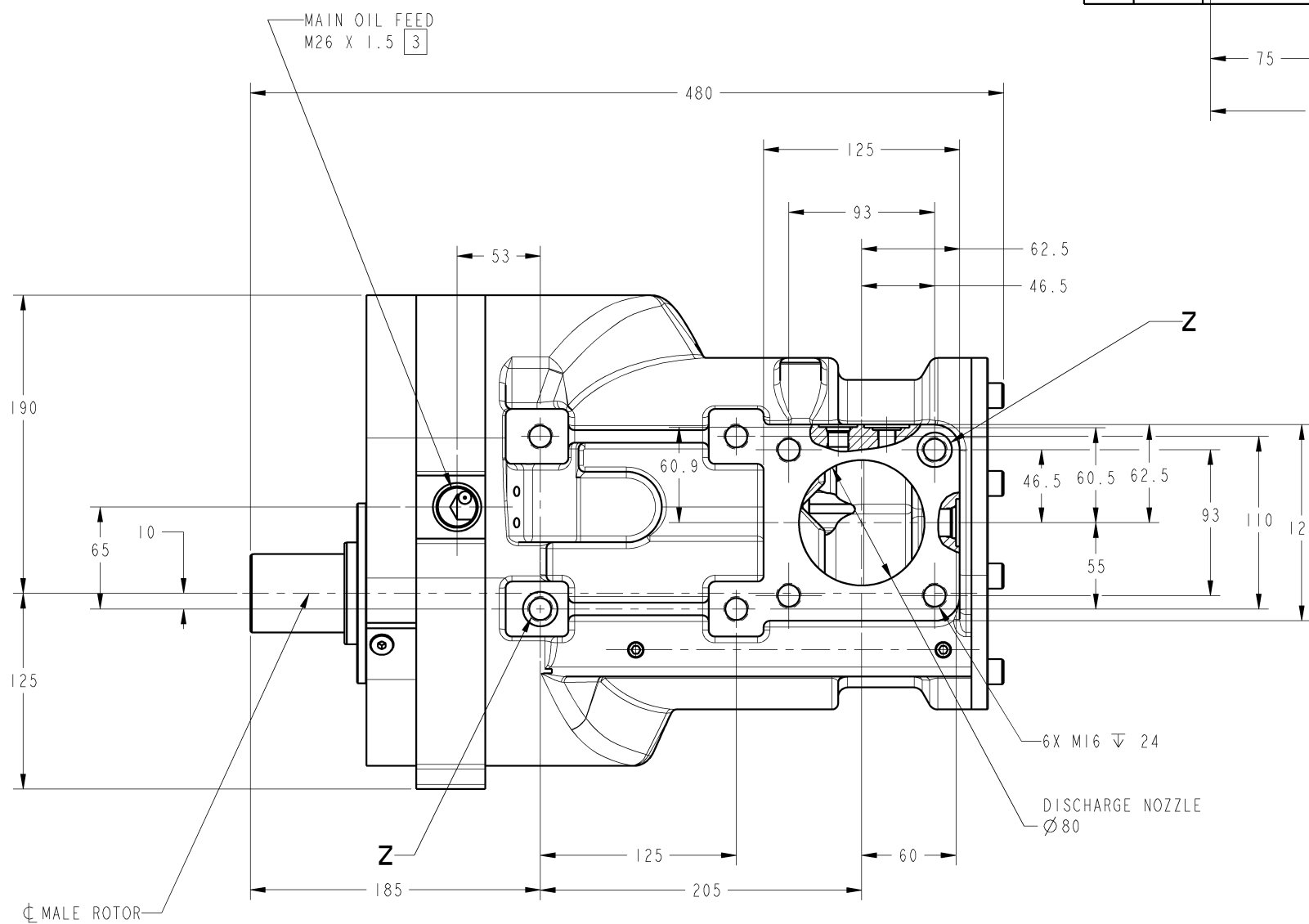
SIZE	ESTIMATED WEIGHT (KG)	DWG NO.	REV
A1	88	54598198	B
SCALE:	0.50	UNIT:	CF90D2
SHEET		1 OF 2	



DETAIL Z
SCALE 1.0



VIEW C-C



VIEW A-A



PROPRIETARY NOTICE
THIS DRAWING CONTAINS CONFIDENTIAL AND TRADE SECRET INFORMATION, IS THE PROPERTY OF INGERSOLL-RAND CO., AND IS GIVEN TO THE RECEIVER IN CONFIDENCE. THE RECEIVER BY RECEPTION AND RETENTION OF THE DRAWING ACCEPTS THE DRAWING IN CONFIDENCE AND AGREES THAT, EXCEPT AS AUTHORIZED IN WRITING BY INGERSOLL-RAND CO. IT WILL (1) NOT USE THE DRAWING OR ANY COPY THEREOF OR THE CONFIDENTIAL OR TRADE SECRET INFORMATION THEREIN; (2) NOT COPY THE DRAWING; (3) NOT DISCLOSE TO OTHERS EITHER THE DRAWING OR THE CONFIDENTIAL OR TRADE SECRET INFORMATION THEREIN; AND (4) UPON COMPLETION OF THE NEED TO RETAIN THE DRAWING, OR UPON DEMAND, RETURN THE DRAWING, ALL COPIES THEREOF, AND ALL MATERIAL COPIED THEREFROM.



**AIREND INSTALLATION
CF90D2 (BELT DRIVE)**

SIZE A1	ESTIMATED WEIGHT (KG) 88	DWG NO. 54598198	REV B
SCALE: 0.50	UNIT: CF90D2	SHEET	2 OF 2