

NOTES:

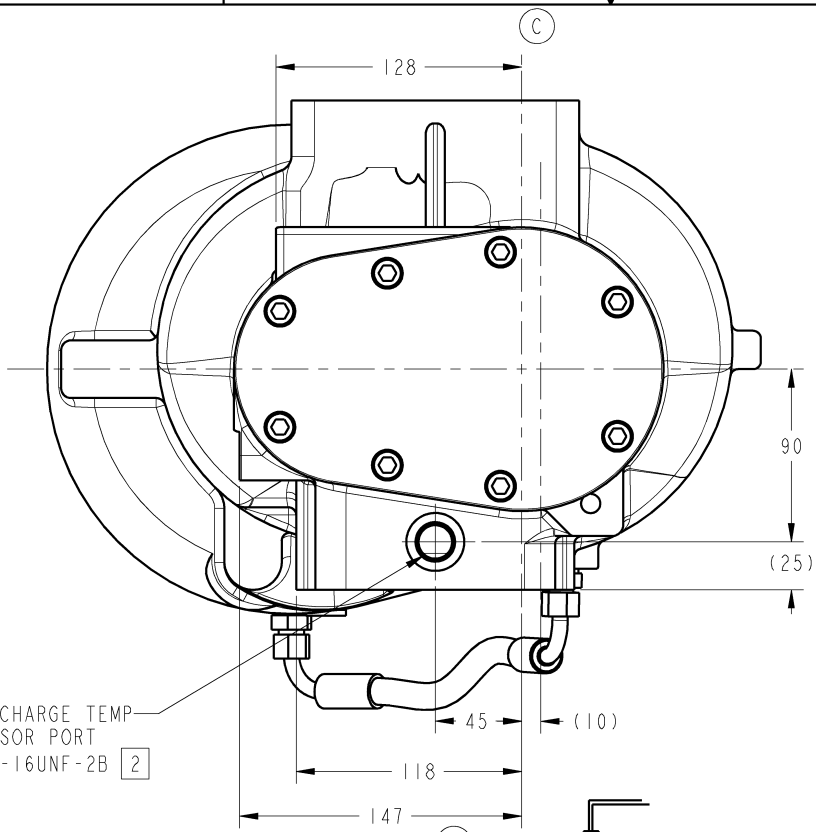
1. CUSTOMER MUST MAKE THE CONNECTION BETWEEN SEAL DRAIN AND SEAL SCAVENGE U.O.S. WITH ENCLOSED OIL SCAVENGE HOSE

2 PER SAE J1926/1 (ISO 11926-1)

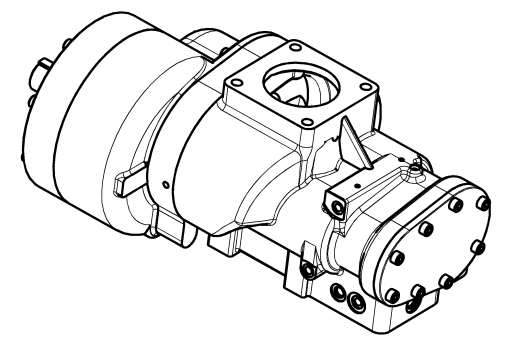
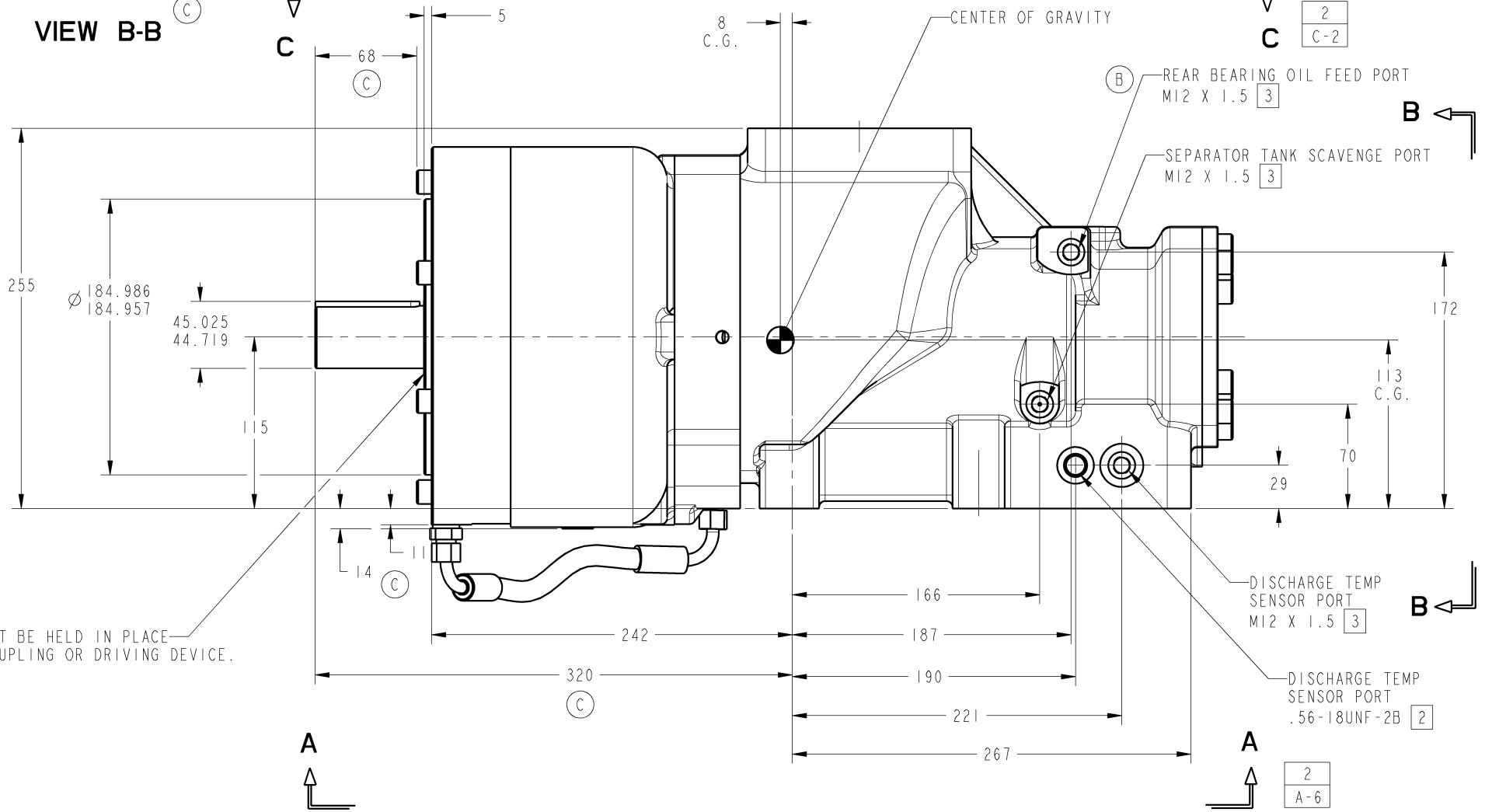
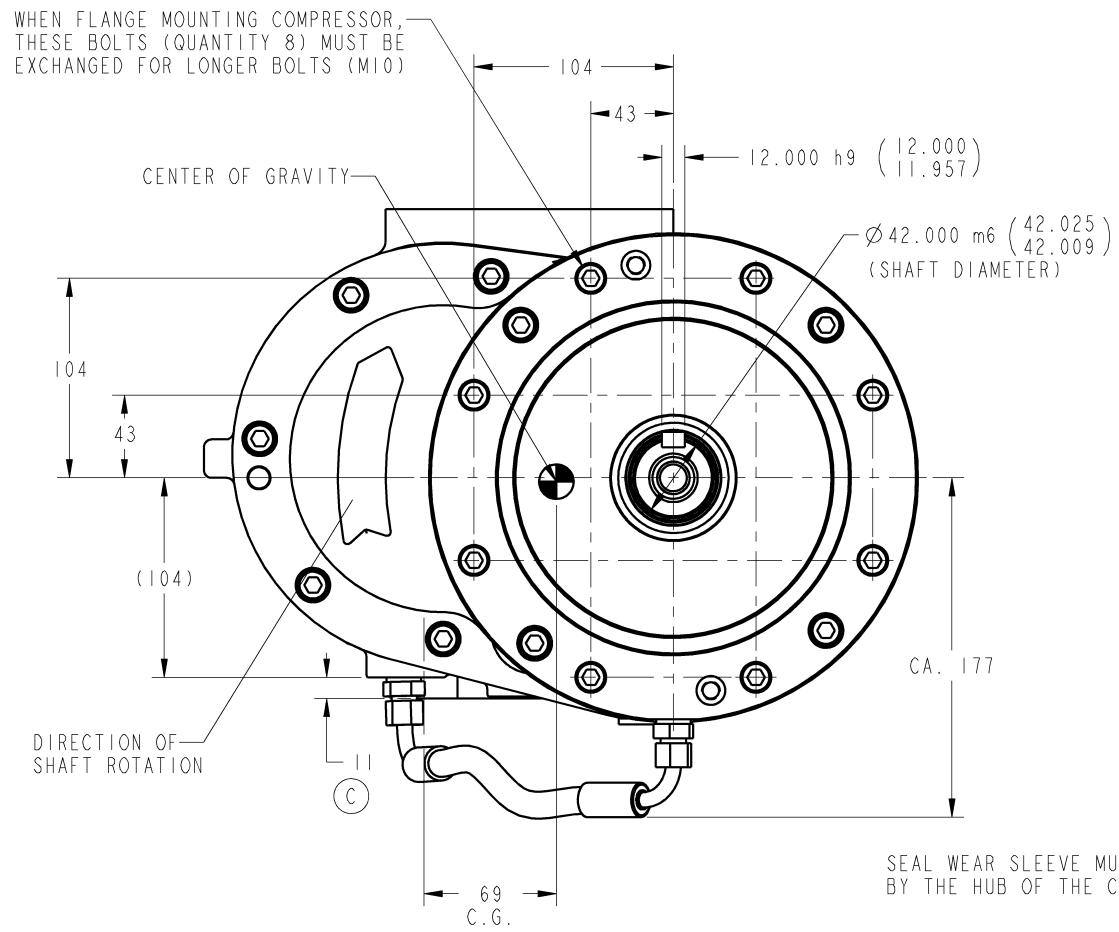
3 PER DIN 3852-1

4. ASSEMBLY DRAWING PART NUMBER IS 54556832.

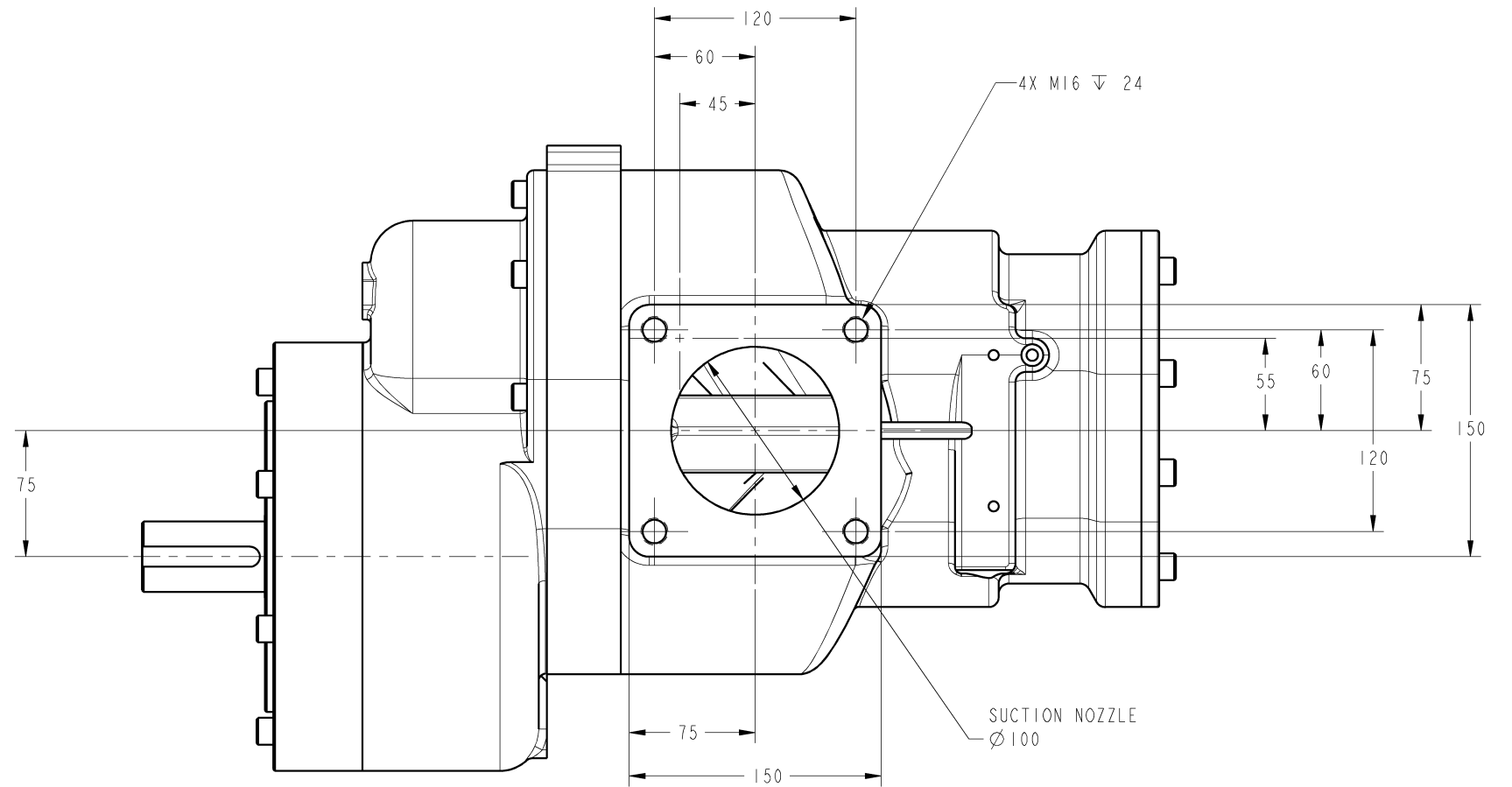
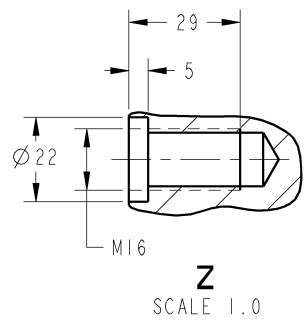
REVISIONS						
ZONE	REV	ECN	DESCRIPTION	DATE	DWN	APV
-	A	67870	ORIGINAL RELEASE	08-15-00	LKT	NSJ
-	B	67974	ADDED LEADER TO NOTE	11-28-00	LKT	NSJ
-	C	68138	320 WAS 322, 68 WAS 70, ADDED DIMENSIONS 138, 157, 11 AND 11	02-13-01	LKT	
-	D	71085	ADDED OIL SCAVENGE HOSE TO ALL VIEWS REVISED NOTE 1 / ADDED NOTES [2], [3], 4 ADDED DIMS 118, 45, 90 ADDED DIMS 104 AND 43 (2X) REMOVED DIMS 7X45* AND 22.5 12.000/11.957 WAS 12.00 45.025/44.719 WAS 45 REVISED C.G. DIMS SHEET 2: ADDED DETAIL Z ADDED DIMS 60.9 AND 60.5 ADDED DIM 60	04-23-04	TL	JCC
D-8						
C4/D5						
B8/C7						
C-6						
C-6						
B-5						
C-7						
B5-B4						
A-5						



VIEW B-B

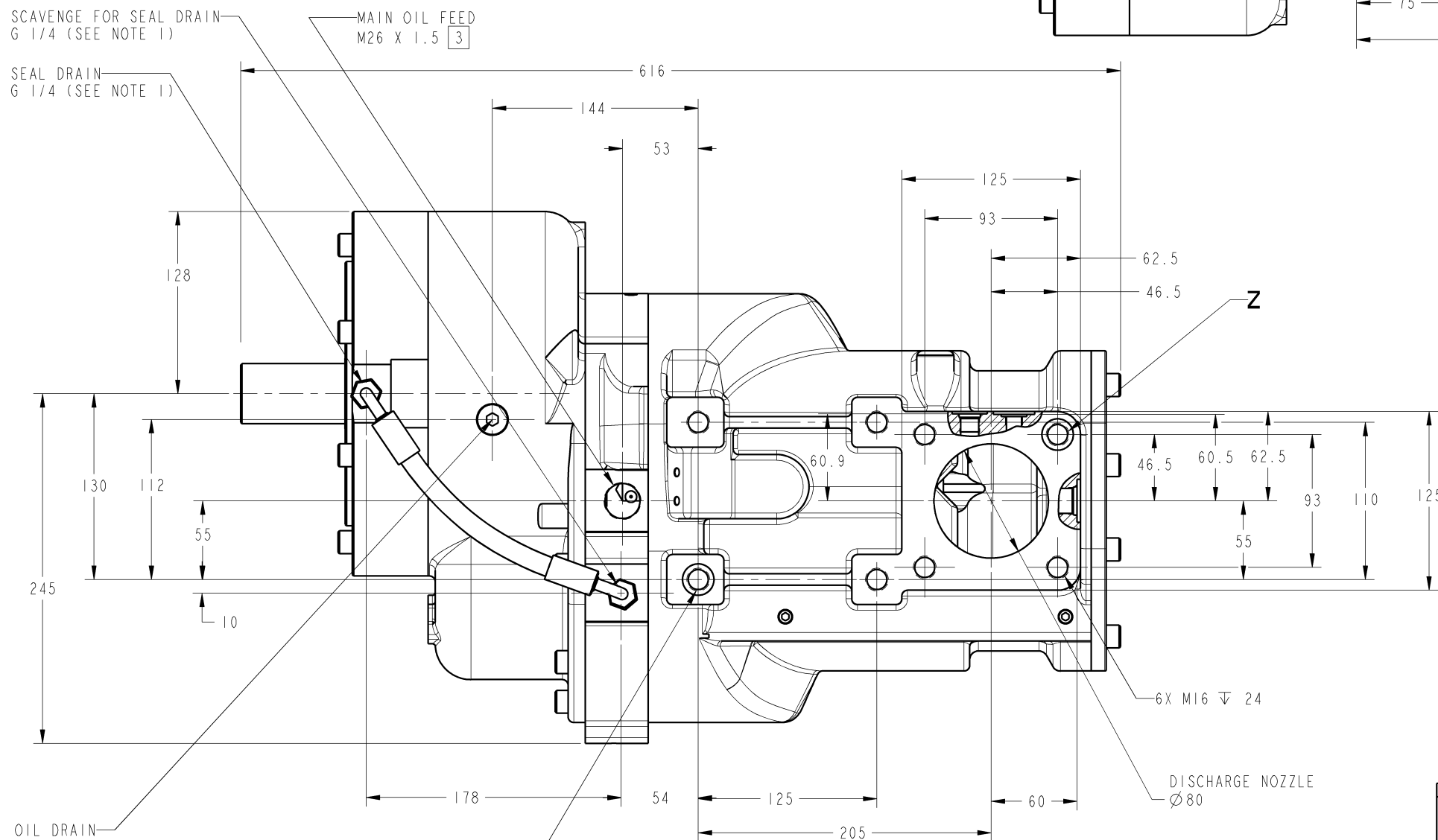


<p>WARNING: THE EXPORT OR REEXPORT OF THIS DRAWING OR A PRODUCT PRODUCED BY THIS DRAWING IS SUBJECT TO U.S. EXPORT ADMINISTRATION REGULATIONS AND OTHER APPLICABLE GOVERNMENT RESTRICTIONS OR REGULATIONS.</p> <p>DRAWING CONFORMS TO ASME Y14.5M-1994</p> <p>ALL WELDMENTS TO BE IN ACCORDANCE WITH (1AW) ANSI/AWS A2.4-93.</p> <p>UNLESS OTHERWISE SPECIFIED, ALL DIMENSIONS ARE IN MILLIMETERS AND TOLERANCES ON DIMENSIONS ARE DECIMALS</p> <p>WHOLE : --- (.X) = ± 1 ONE PLACE : --- (.XX) = ± 0.5 TWO PLACE : --- (.XXX) = ± 0.25 ANGLES : --- (.X) = ± 1°</p>	<p>PROPRIETARY NOTICE</p> <p>THIS DRAWING CONTAINS CONFIDENTIAL AND TRADE SECRET INFORMATION, IS THE PROPERTY OF INGERSOLL-RAND CO., AND IS GIVEN TO THE RECEIVER IN CONFIDENCE. THE RECEIVER BY RECEPTION AND RETENTION OF THE DRAWING, ACCEPTS AS AUTHORIZED IN WRITING BY INGERSOLL-RAND CO. IT WILL (1) NOT USE THE DRAWING OR ANY COPY THEREOF OR THE CONFIDENTIAL OR TRADE SECRET INFORMATION THEREIN; (2) NOT COPY THE DRAWING; (3) NOT DISCLOSE TO OTHERS EITHER THE DRAWING OR THE CONFIDENTIAL OR TRADE SECRET INFORMATION THEREIN; AND (4) UPON COMPLETION OF THE NEED TO RETAIN THE DRAWING, OR UPON DEMAND, RETURN THE DRAWING, ALL COPIES THEREOF, AND ALL MATERIAL COPIED THEREFROM.</p>	<p>UNLESS OTHERWISE SPECIFIED, ALL DIMENSIONS ARE IN MILLIMETERS</p> <p>REMOVE ALL BURRS AND SHARP CORNERS</p> <p>CAD GENERATED DRAWING, NO MANUAL REVISIONS ALLOWED</p> <p>COPYRIGHT © 2004 INGERSOLL-RAND COMPANY ALL RIGHTS RESERVED</p>	<p>NOUN CODE</p> <p>THIRD ANGLE PROJECTION</p>		<p>TITLE</p> <p><b>IR Ingersoll-Rand Air Solutions</b></p> <p><b>AIREND INSTALLATION CF90G5 (JACKSHAFT)</b></p>	
			<p>DRAWN: L. TAYLOR</p> <p>CHECKED: TAB</p> <p>APPROVED: NSJ</p>	<p>DATE: 8-15-00</p> <p>DATE: 8-18-00</p> <p>DATE: 8-18-00</p>	<p>SIZE: A1</p> <p>SCALE: 0.50</p>	<p>ESTIMATED WEIGHT (KG): 120</p> <p>DWG NO.: 54598172</p> <p>UNIT: CF90G5</p>



VIEW C-C

1
C-1



VIEW A-A

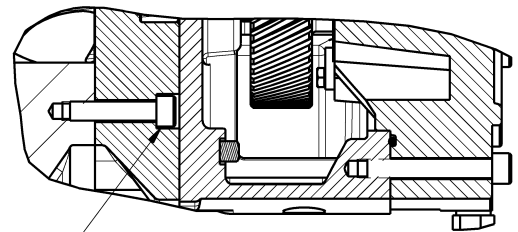
1
A-1

PROPRIETARY NOTICE  
 THIS DRAWING CONTAINS CONFIDENTIAL AND TRADE SECRET INFORMATION, IS THE PROPERTY OF INGERSOLL-RAND CO., AND IS GIVEN TO THE RECEIVER IN CONFIDENCE. THE RECEIVER BY RECEPTION AND RETENTION OF THE DRAWING ACCEPTS THE DRAWING IN CONFIDENCE AND AGREES THAT, EXCEPT AS AUTHORIZED IN WRITING BY INGERSOLL-RAND CO. IT WILL (1) NOT USE THE DRAWING OR ANY COPY THEREOF OR THE CONFIDENTIAL OR TRADE SECRET INFORMATION THEREIN; (2) NOT COPY THE DRAWING; (3) NOT DISCLOSE TO OTHERS EITHER THE DRAWING OR THE CONFIDENTIAL OR TRADE SECRET INFORMATION THEREIN; AND (4) UPON COMPLETION OF THE NEED TO RETAIN THE DRAWING, OR UPON DEMAND, RETURN THE DRAWING, ALL COPIES THEREOF, AND ALL MATERIAL COPIED THEREFROM.

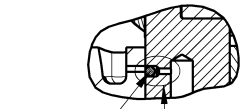


TITLE  
**AIREND INSTALLATION  
 CF90G5 (JACKSHAFT)**

SIZE <b>A1</b>	ESTIMATED WEIGHT (KGS) 120	DWG NO. <b>54598172</b>	REV <b>D</b>
SCALE: 0.50	UNIT:	CF90G5	SHEET 2 OF 2

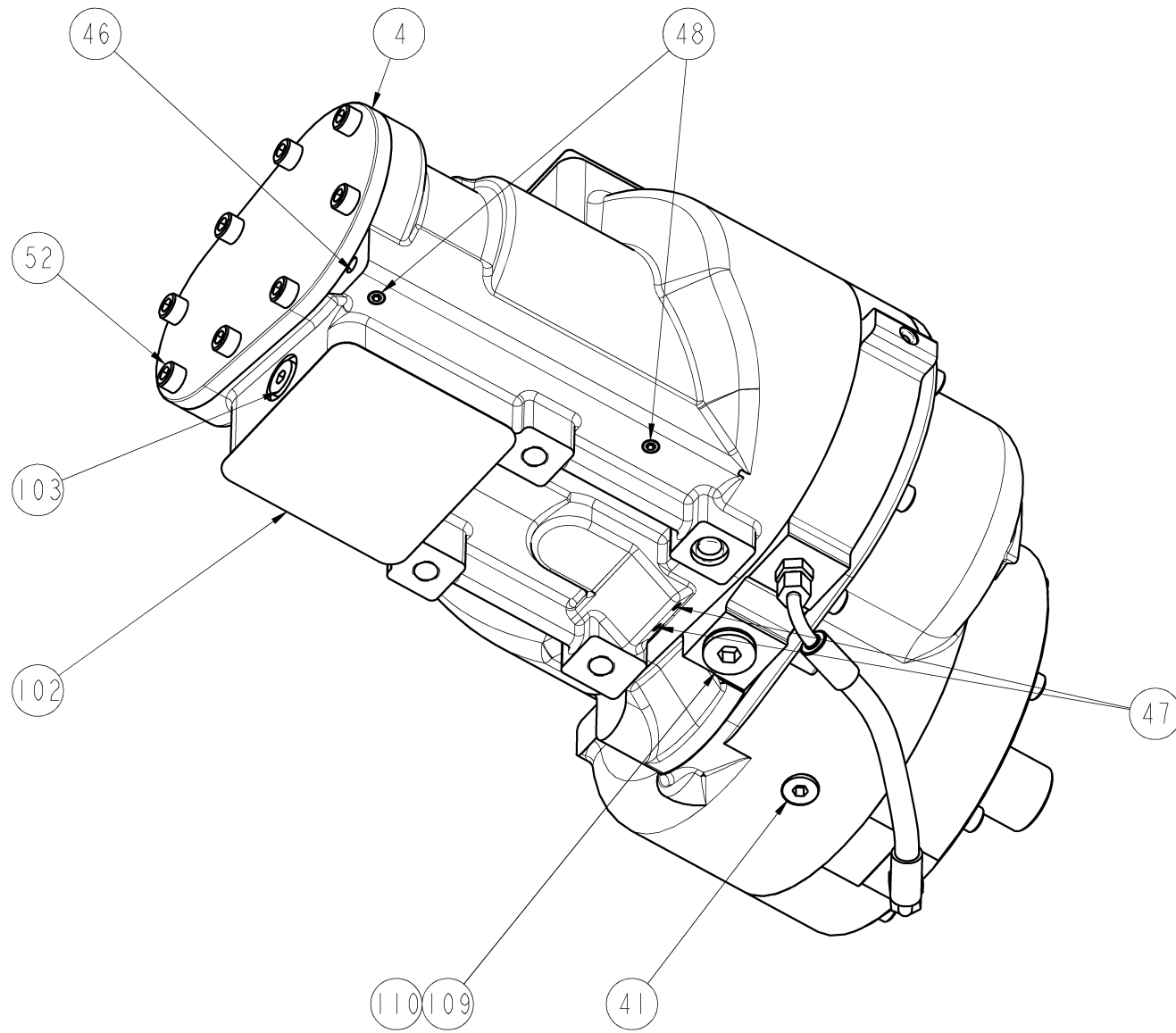
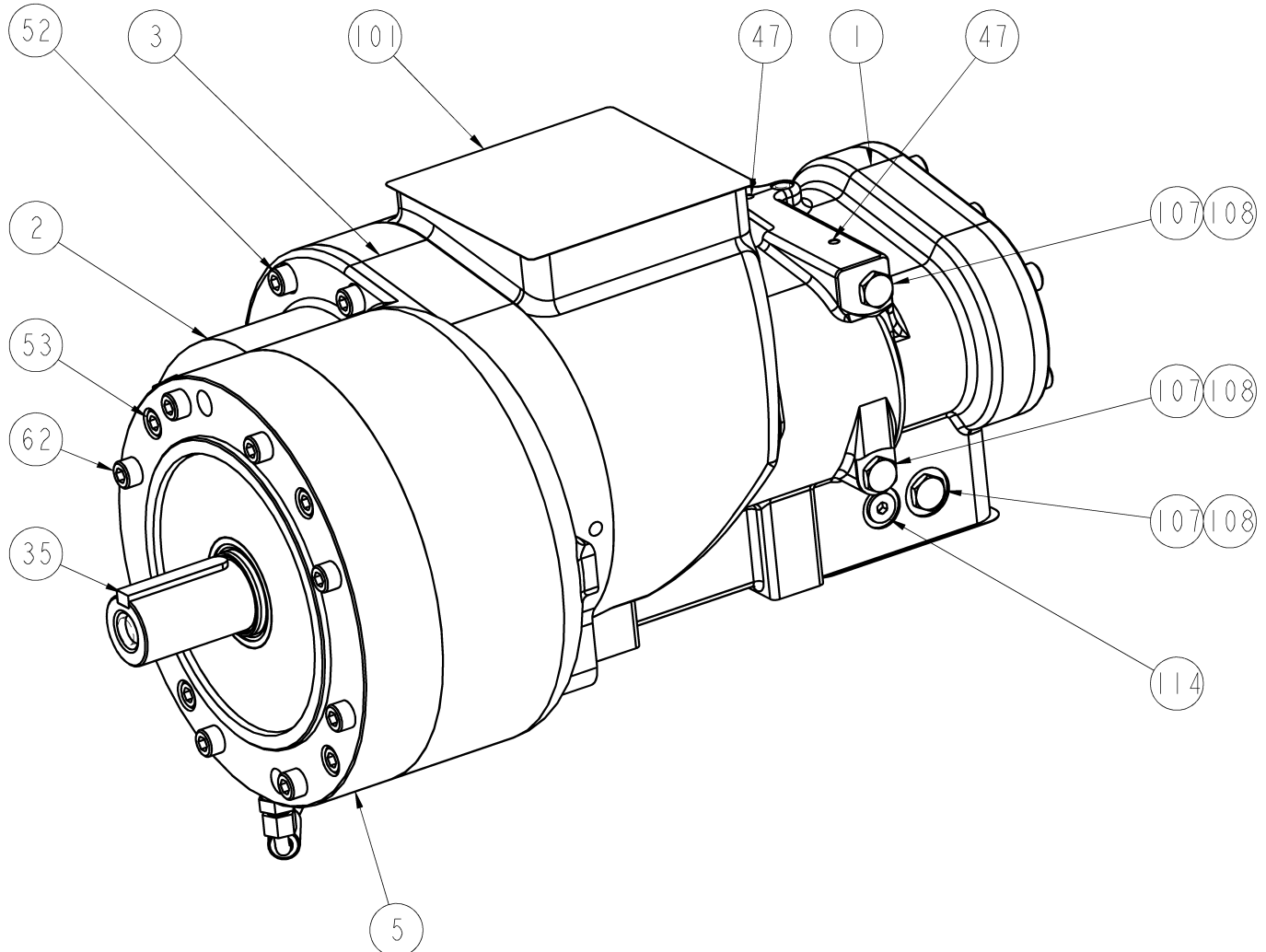
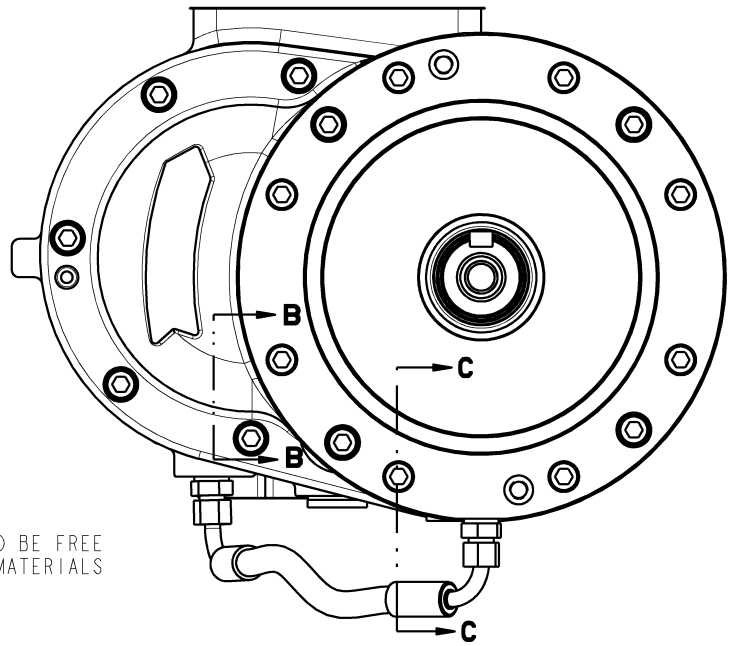


51 SECTION C-C



29 OIL BORES TO BE FREE OF SEALING MATERIALS

SECTION B-B



PROPRIETARY NOTICE  
 THIS DRAWING CONTAINS CONFIDENTIAL AND TRADE SECRET INFORMATION, IS THE PROPERTY OF INGERSOLL-RAND CO., AND IS GIVEN TO THE RECEIVER IN CONFIDENCE. THE RECEIVER BY RECEPTION AND RETENTION OF THE DRAWING ACCEPTS THE DRAWING IN CONFIDENCE AND AGREES THAT, EXCEPT AS AUTHORIZED IN WRITING BY INGERSOLL-RAND CO. IT WILL (1) NOT USE THE DRAWING OR ANY COPY THEREOF OR THE CONFIDENTIAL OR TRADE SECRET INFORMATION THEREIN; (2) NOT COPY THE DRAWING; (3) NOT DISCLOSE TO OTHERS EITHER THE DRAWING OR THE CONFIDENTIAL OR TRADE SECRET INFORMATION THEREIN; AND (4) UPON COMPLETION OF THE NEED TO RETAIN THE DRAWING, OR UPON DEMAND, RETURN THE DRAWING, ALL COPIES THEREOF, AND ALL MATERIAL COPIED THEREFROM.

		<b>TITLE</b> AIREND ASSEMBLY CF90 (JACKSHAFT)	
		<b>SIZE</b> A1	<b>ESTIMATED WEIGHT (KG)</b> 120
<b>SCALE:</b> 0.50		<b>UNIT:</b> CF90G5	
<b>SHEET</b> 2 OF 4		<b>REV</b> F	