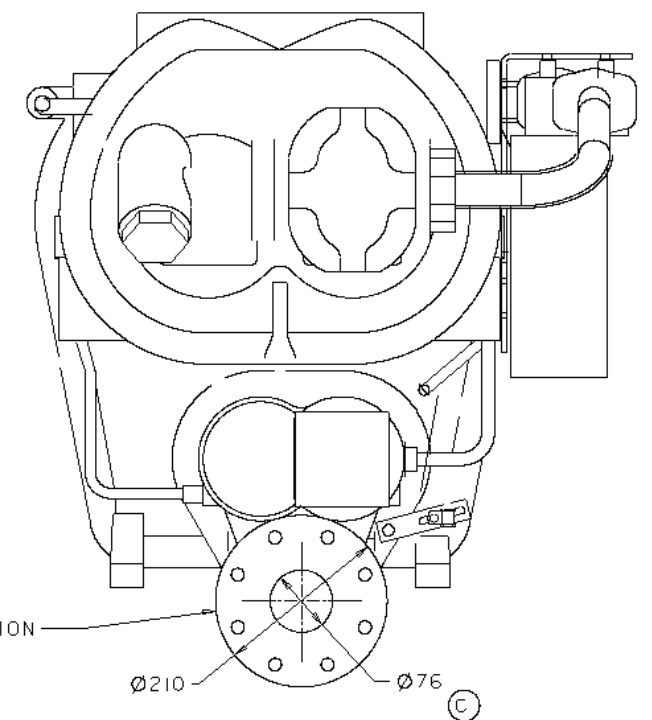
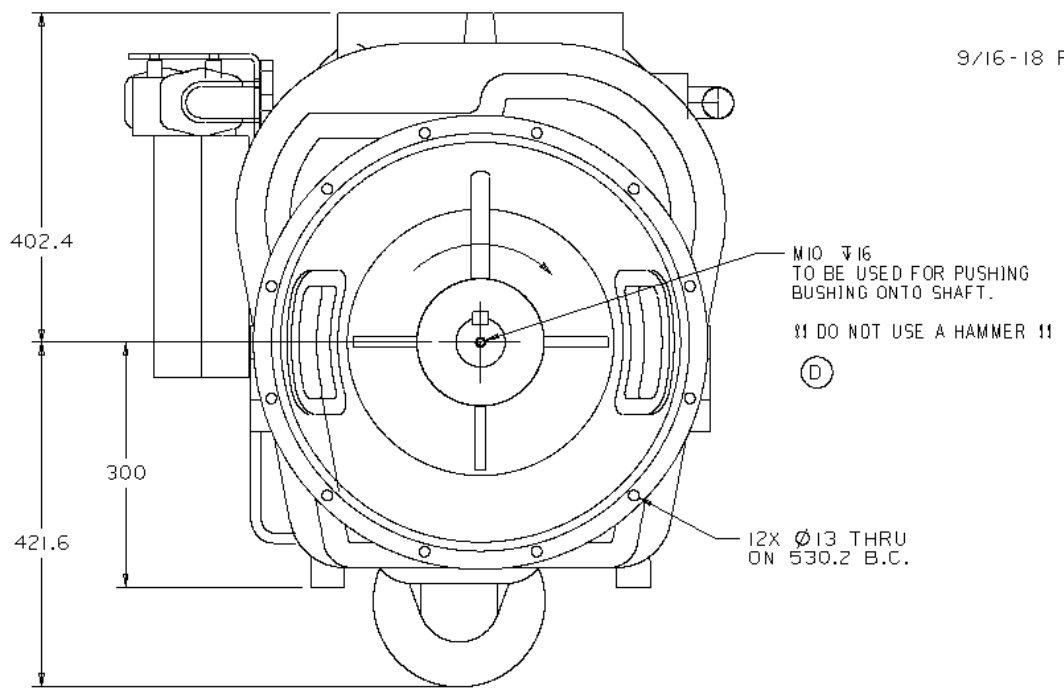
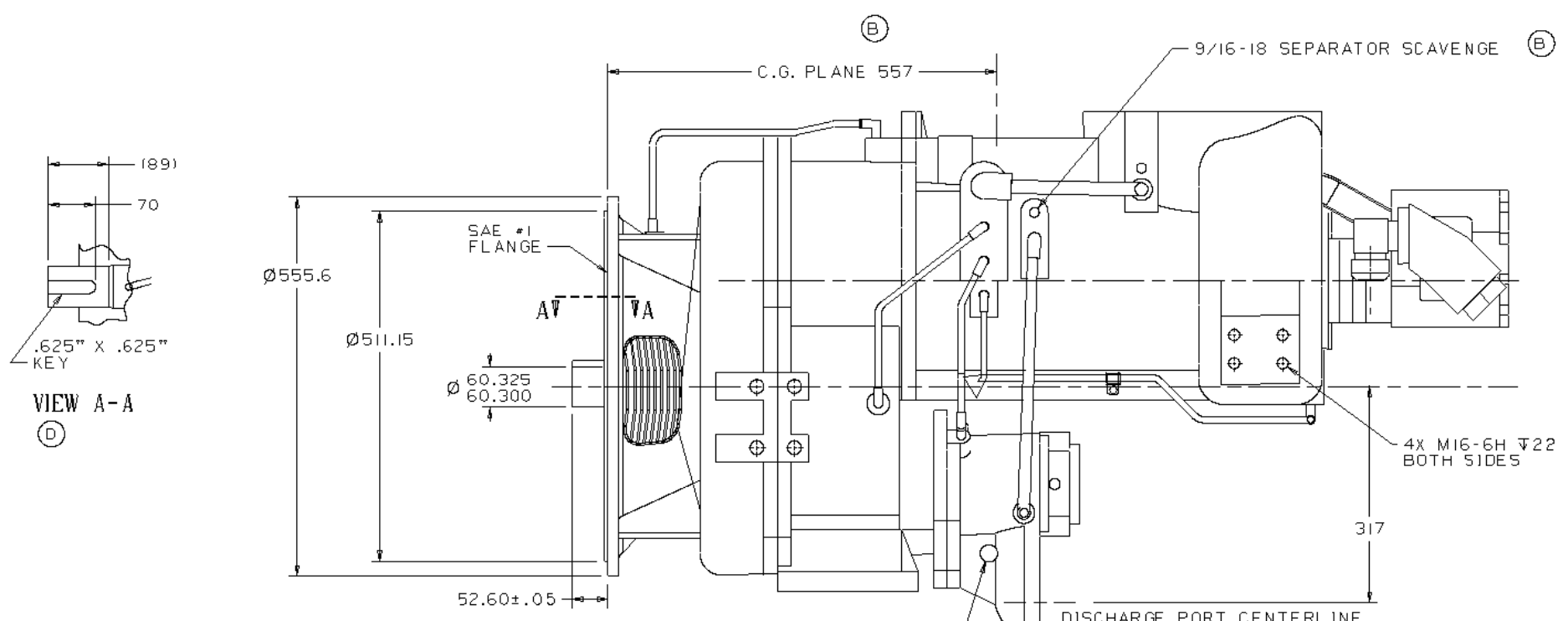


REVISIONS					
ZONE	REV.	DESCRIPTION	DATE	APVD	E/C
-	A	ORIGINAL RELEASE	93-9-27	DNG	27582
-	B	C.G. PLANE WAS 569			27653
-	C	9/16 SEPARATOR SCAY RELOCATED	93-11-6	DNG	27883
B6	D	Ø76 WAS Ø102 (ERROR), ADDED TUBE CLAMPS (2)	5-23-94	DNG	27883
	D	ADDED SHAFT THREAD NOTE, REVISED PUMP OUTLET TUBE	8-27-96	DDG	63473
	E	ADD BRACKET KIT 42464651, REVISED PUMP OUTLET TUBE	10-12-01	WTD	68834



WARNING: THE EXPORT OR REEXPORT OF THIS DRAWING OR A PRODUCT PRODUCED BY THIS DRAWING IS SUBJECT TO U.S. EXPORT ADMINISTRATION REGULATIONS AND OTHER APPLICABLE GOVERNMENTAL RESTRICTIONS OR REGULATIONS.
 COPYRIGHT © 1994 INGERSOLL-RAND COMPANY ALL RIGHTS RESERVED

THIS DRAWING CONTAINS CONFIDENTIAL AND TRADE SECRET INFORMATION, IS THE PROPERTY OF INGERSOLL-RAND CO., AND IS GIVEN TO THE RECEIVER IN CONFIDENCE. THE RECEIVER BY RECEIPT AND RETENTION OF THE DRAWING ACCEPTS THE DRAWING IN CONFIDENCE AND AGREES THAT, EXCEPT AS AUTHORIZED IN WRITING BY INGERSOLL-RAND CO. IT WILL (1) NOT USE THE DRAWING OR ANY COPY THEREOF OR THE CONFIDENTIAL OR TRADE SECRET INFORMATION THEREIN; (2) NOT COPY THE DRAWING; (3) NOT DISCLOSE TO OTHERS EITHER THE DRAWING OR THE CONFIDENTIAL OR TRADE SECRET INFORMATION THEREIN; AND (4) UPON COMPLETION OF THE NEED TO RETAIN THE DRAWING, OR UPON DEMAND, RETURN THE DRAWING, ALL COPIES THEREOF, AND ALL MATERIAL COPIED THEREFROM.

UNLESS OTHERWISE SPECIFIED DIMENSIONS ARE IN MILLIMETERS. MICROFILM FILM BLOWBACK SCALE 150 mm
 UNLESS OTHERWISE SPECIFIED TOLERANCES ON DIMENSIONS ARE AS SPECIFIED ON DRAWING 36865731

CODE LAYOUT NAME : PARTS.PCD.INSTALL - DWG.HR2-5.36865731
 GEOMETRIC SYMBOLS
 STRAIGHTNESS // PARALLELISM
 CIRCULARITY < ANULARITY
 CYLINDRICITY ⊥ TRUE POSITION
 FLATNESS ● CONCENTRICITY
 PROFILE OF SURFACE / CIRCULAR RUN OUT
 PROFILE LINE ⓧ TOTAL RUNOUT
 PERPENDICULARITY ⊥

SI-METRIC
 WEIGHT, EST. 1.1950 LBS 1.382 KGS.
 WEIGHT, ACTUAL ____ KGS.
 NEXT HIGHER ASSY X

INGERSOLL-RAND COMPANY
 CONSTRUCTION & MINING
 PORTABLE COMPRESSOR DIVISION
 MOCKSVILLE, NC 27028
 TITLE: HR2.5 INSTALLATION DRAWING
 DRAWN: JML DATE: 93-06-08
 CHECKED: MPM DATE: 93-09-21
 APPROVED: DNG DATE: 93-09-24
 SIMILAR TO: X
 SCALE: 1:4 UNIT: HR2.5 SHEET 1 OF 2